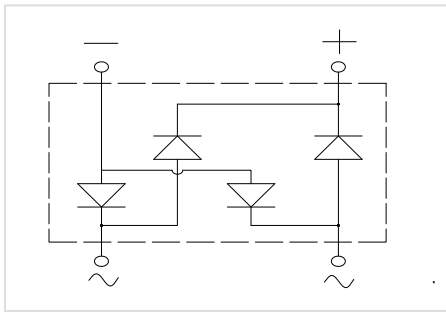
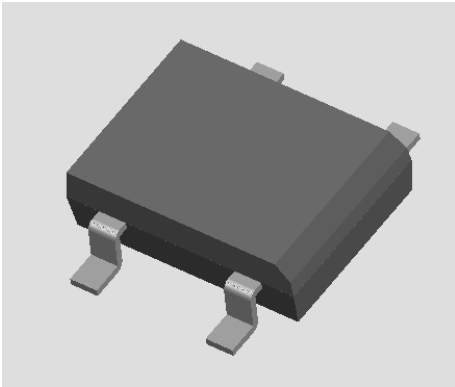


## Bridge Rectifiers



### Features

- UL recognition, file #E313149
- Glass passivated chip junction
- Ideal for automated placement
- High surge current capability
- Meets MSL level 1, per J-STD-020, LF maximum peak of 260 °C

### Typical Applications

General purpose use in AC/DC bridge full wave rectification for SMPS, lighting ballast, adapter, battery charger, home appliances, office equipment, and telecommunication applications.

### Mechanical Data

- Package:** DBS
- Molding compound meets UL 94 V-0 flammability rating, RoHS-compliant, Halogen free
- Terminals:** Tin plated leads, solderable per J-STD-002 and JESD22-B102
- Polarity:** 800

									1000
Maximum RMS Voltage	V <sub>RMS</sub>	V	35	70	140	280	420	560	700
Maximum DC blocking Voltage	V <sub>DC</sub>	V	50	100	200	400	600	800	1000
Average rectified output current @60Hz sine wave, R-load, T <sub>c</sub> =118	I <sub>O</sub>	A	2.0						
Forward Surge Current (Non-repetitive) @60Hz Half-sine wave, 1 cycle, T <sub>j</sub> =25	I <sub>FSM</sub>	A	60						
Forward Surge Current (Non-repetitive) @1ms, square wave, 1 cycle, T <sub>j</sub> =25			120						
Current squared time @1ms t 8.3ms T <sub>j</sub> =25, Rating of per diode	I <sup>2</sup> t	A <sup>2</sup> s	14.9						
Storage temperature	T <sub>stg</sub>		-55 ~ +150						
Junction temperature	T <sub>j</sub>		-55 ~ +150						

### Electrical Characteristics T<sub>a</sub>=25 Unless otherwise specified

PARAMETER	SYMBOL	UNIT	TEST CONDITIONS	DB201S	DB202S	DB203S	DB204S	DB205S	DB206S	DB207S
Maximum instantaneous forward voltage drop per diode	V <sub>F</sub>	V	I <sub>FM</sub> =1.0A	1.0						
Maximum DC reverse current at rated DC blocking voltage per diode	I <sub>R</sub>	μA	T <sub>j</sub> =25	5						
			T <sub>j</sub> =125	100						
Typical junction capacitance	C <sub>j</sub>	pF	Measured at 1MHz and Applied Reverse Voltage of 4.0 V.D.C	19						



## DB201S THRU DB207S

### Thermal Characteristics $T_a=25$ Unless otherwise specified

PARAMETER	SYMBOL	UNIT	DB201S	DB202S	DB203S	DB204S	DB205S	DB206S	DB207S
Typical Thermal Resistance	R J-A	/W	40.0						
	R J-L		15.0						
	R J-C		8.0						

Note: Device mounted on P.C.B with 35mm\*25mm\*1.7mm

### Ordering Information (Example)

PREFERED P/N	PACKING CODE
--------------	--------------



**Outline Dimensions**

**Suggested pad layout**

<b>Dim</b>	<b>Min</b>
P1	8.73
P2	5.12
Q1	



## Disclaimer

The information presented in this document is for reference only. Yangzhou Yangjie Electronic Technology Co., Ltd. reserves the right to make changes without notice for the specification of t